

10072853.0209002

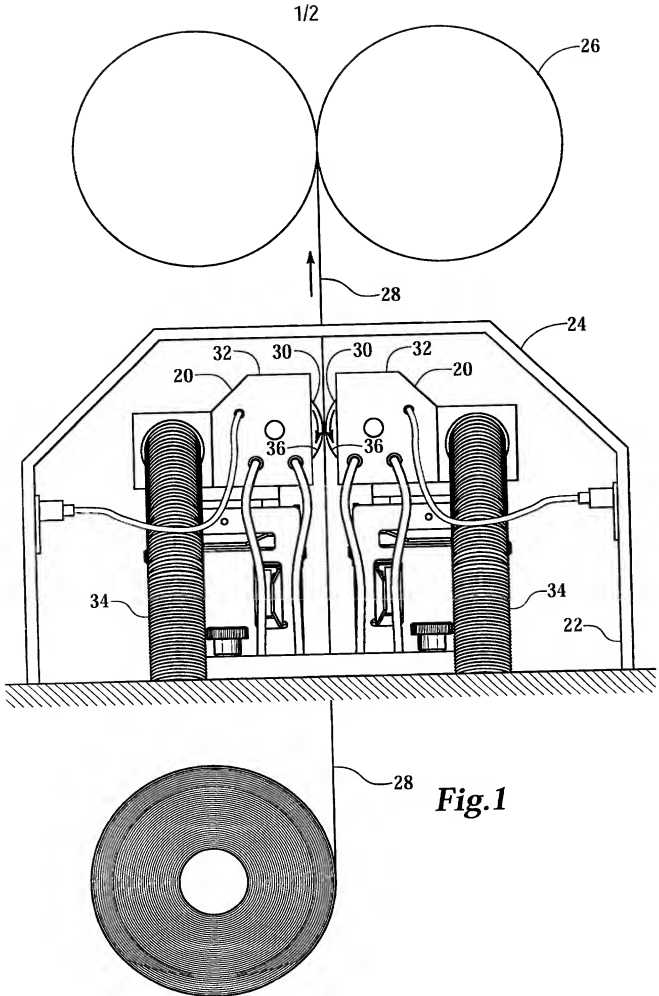


Fig. 1

